



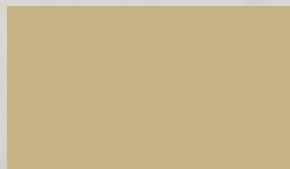
C O U N T E R T O P S

SINKS *Catalog*

*Our mission is to make your
dream home design come true!*

FIRST STONE

C O U N T E R T O P S





We have operated since 2016 and we are proud of, through the years, having created and delivered custom designs that are 100% adequate to our client's projects and expectations.

We work with marble, granite, quartz, quartzite, edge and many skin options! Come visit us and find out the best layout for your project.

FIRST STONE

C O U N T E R T O P S

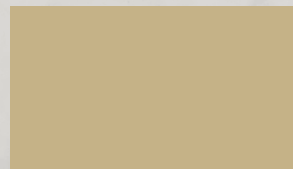


*SINGLE
BOWL
SINK*

C O U N T E R T O P S

FIRST STONE

C O U N T E R T O P S



SPEC SHEET

Stainless Steel Kitchen Sink

Model: 2421

Features

- Undermount single bowl.
- All brushed finish.
- 18 gauge, 304 stainless steel.
- Pressing by one panel of stainless steel.
- Undercoated and Sound-deadening Pads.
- Template and Mounting Clips.
- Limited lifetime warranty.



Product measurements

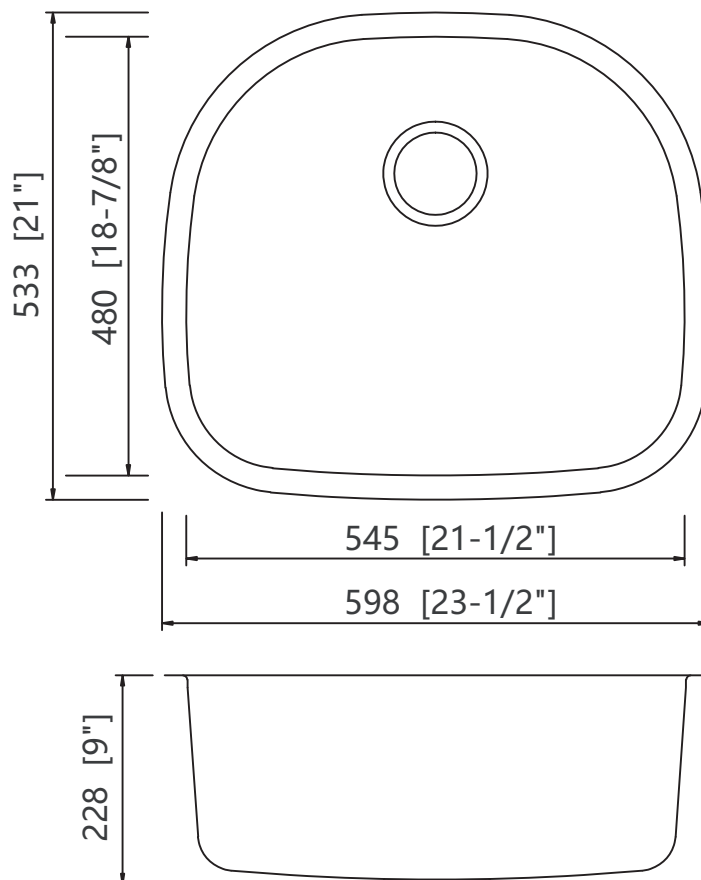
- Overall size: 23-1/2" x 21"
- Bowl size: 21-1/2" x 18-7/8"
- Depth option :
 - 9 inch

Codes/Standards



ASME A112.19.2/CSA B45.1

Product Diagram



SPEC SHEET

Stainless Steel Kitchen Sink

Model: 3118

Features

- Undermount single bowl.
- All brushed finish.
- 18 gauge, 304 stainless steel.
- Pressing by one panel of stainless steel.
- Undercoated and Sound-deadening Pads.
- Template and Mounting Clips.
- Limited lifetime warranty.



Product measurements

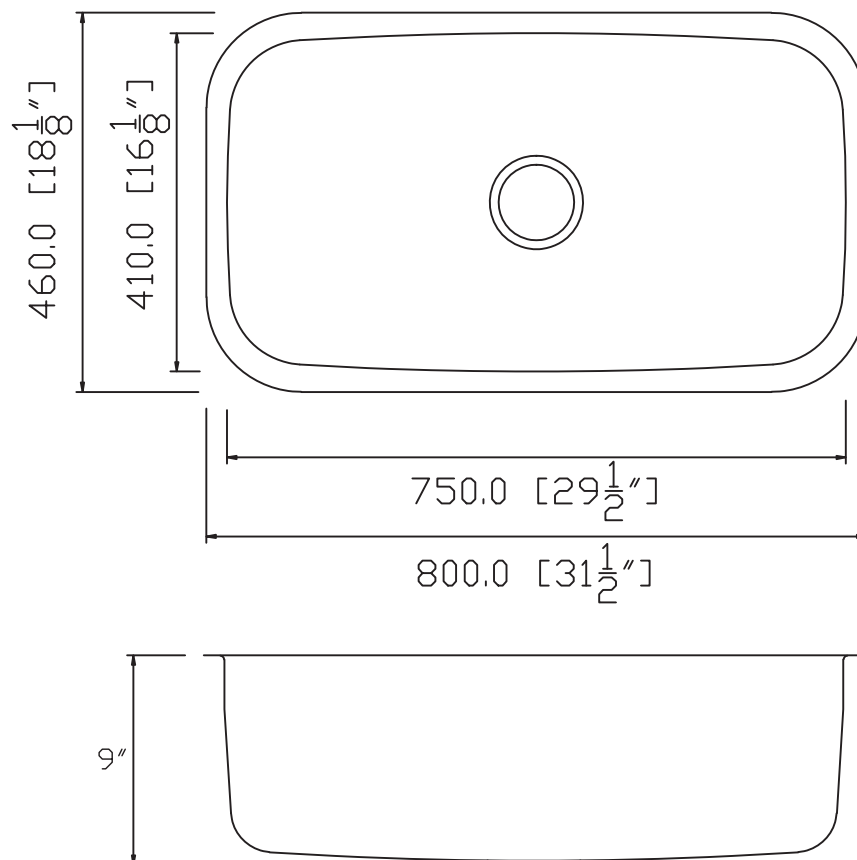
- Overall size: 31-1/2" x 18-1/8"
- Bowl size: 29-1/2" x 16-1/8"
- Depth option :
 - 9 inch

Codes/Standards



ASME A112.19.2/CSA B45.1

Product Diagram



SPEC SHEET

Stainless Steel Kitchen Sink

Model: 2718

Features

- Undermount single bowl.
- All brushed finish.
- 18 gauge, 304 stainless steel.
- Pressing by one panel of stainless steel.
- Undercoated and Sound-deadening Pads.
- Template and Mounting Clips.
- Limited lifetime warranty.



Product measurements

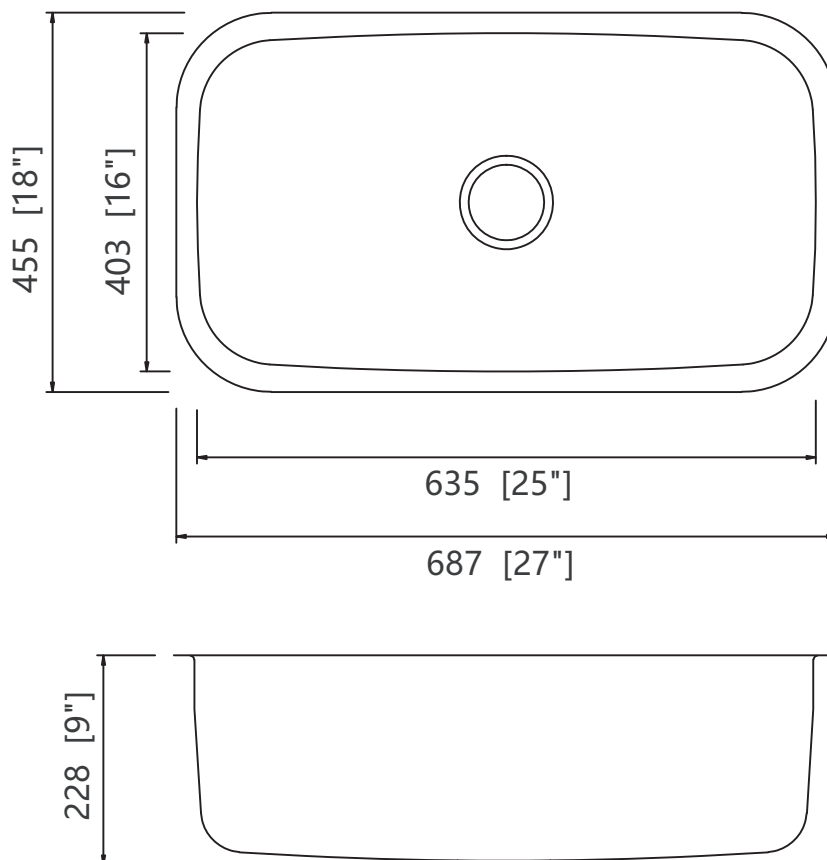
- Overall size: 27" x 18"
- Bowl size: 25" x 16"
- Depth option :
 - 9 inch

Codes/Standards



ASME A112.19.2/CSA B45.1

Product Diagram



SPEC SHEET

Stainless Steel Kitchen Sink

Model: 2318

Features

- Undermount single bowl.
- All brushed finish.
- 18 gauge, 304 stainless steel.
- Pressing by one panel of stainless steel.
- Undercoated and Sound-deadening Pads.
- Template and Mounting Clips.
- Limited lifetime warranty.

Product measurements

- Overall size: 23" x 17-3/4"
- Bowl size: 21-1/8" x 15-3/4"
- Depth option :
 6 inch 9 inch

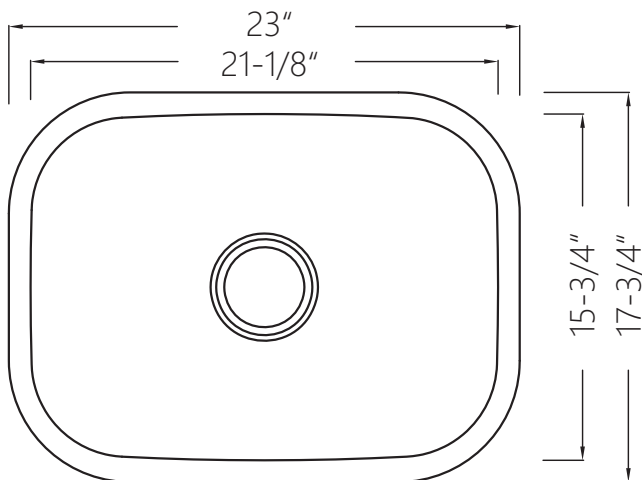


Codes/Standards



ASME A112.19.2/CSA B45.1

Product Diagram



SINGLE BOWL SINK



See other
options



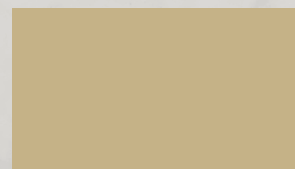
SS320

31"x20" overall
16 Gauge
18 Gauge

C
O
U
N
T
E
R
T
O
P
S

FIRST STONE

C O U N T E R T O P S



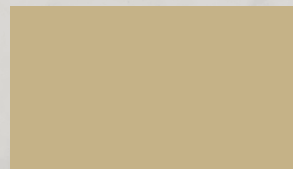


C O U N T E R T O P S

*DOUBLE
BOWL
SINK*

FIRST STONE

C O U N T E R T O P S



SPEC SHEET

Stainless Steel Kitchen Sink

Model: 3218

Features

- Undermount double bowls 50/50.
- All brushed finish.
- 18 gauge, 304 stainless steel.
- Pressing by one panel of stainless steel.
- Undercoated and Sound-deadening Pads.
- Template and Mounting Clips.
- Limited lifetime warranty.



Product measurements

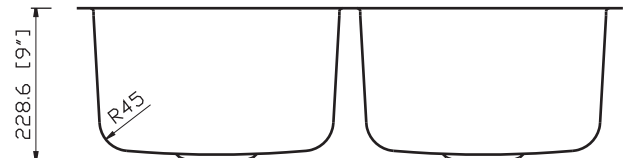
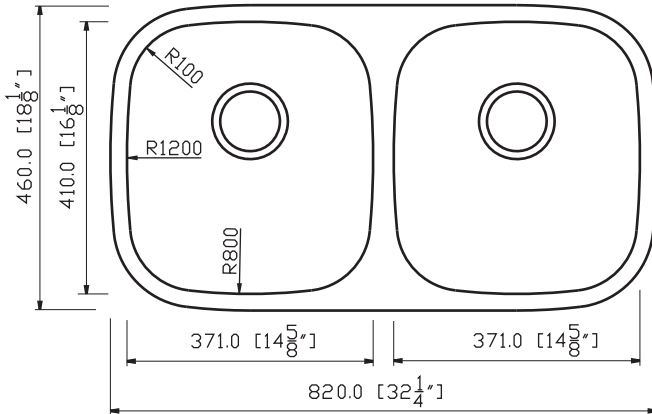
- Overall size: 32-1/4" x 18-1/8"
- Bowl size: 14-5/8" x 16-1/8"
- Depth option :
 6 inch 8 inch 9 inch

Codes/Standards



ASME A112.19.2/CSA B45.1

Product Diagram



DOUBLE BOWL SINK



See other options



**SD321R/
SD321L**

32"x21" overall
18 Gauge
16 Gauge



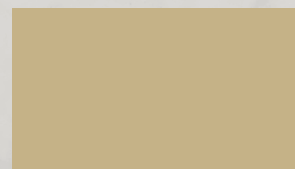
**SD322R/
SD322L**

32"x21" overall
18 Gauge
16 Gauge

C O U N T E R T O P S

FIRST STONE

C O U N T E R T O P S

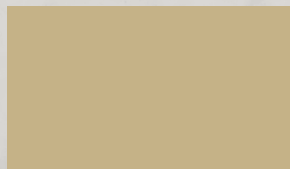




C O U N T E R T O P S

HANDMADE SINK

FIRST STONE
C O U N T E R T O P S



Handmade Fabricated Sink

Stainless steel kitchen sink

MODEL:F2818S

- Zero-radius undermount single bowl
- Handcrafted from a panel of stainless steel
- Made from #304 stainless steel
- 16 Gauge and 18 Gauge thickness optional
- All satin finish
- Undercoated and Sound-deadening Pads
- Template and Mounting Clips



- Overall Dimension:

28" x 18" x 10"

- Bowl Inside Dimension:

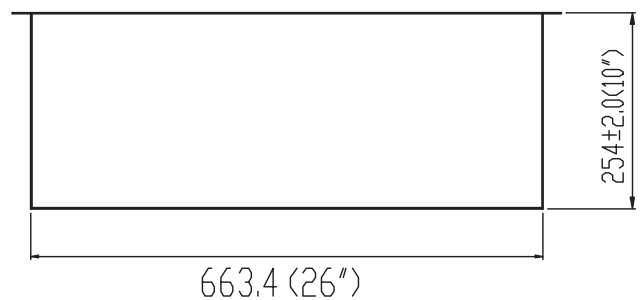
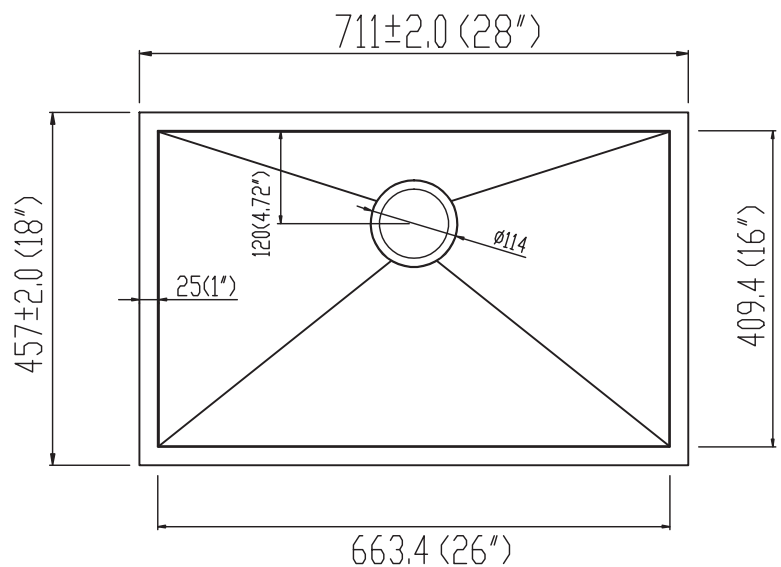
26" x 16" x 10"

Thickness option:

- 16 Gauge
- 18 Gauge

Depth option:

- 10 Inch
- 9 Inch
- 8 Inch
- 7 Inch



HANDMADE SINK



See other options



Zero Radius 16 Gauge

MT1615 MT3018

MT2318 MT3218

MT2818



MT335/MT5050

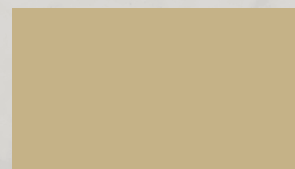


Apron Sink
16Gauge
AP3320

C
O
U
N
T
E
R
T
O
P
S

FIRST STONE

C O U N T E R T O P S



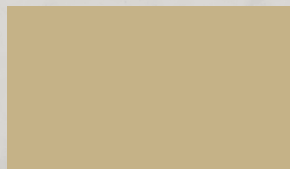


C O U N T E R T O P S

VANITY SINK

FIRST STONE

C O U N T E R T O P S



Undercounter Porcelain Sink

Vitreous China

MODEL: 2254

Features

- cUPC certificate
- Classic rectangular undermount sink
- Made from vitreous china
- Unglazed rim for undercounter mounting
- Front overflow
- Template and Mounting Clips

- Overall Dimension:

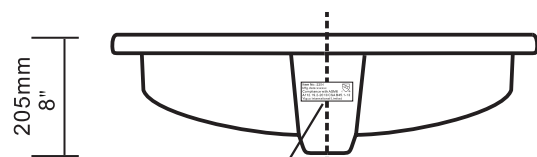
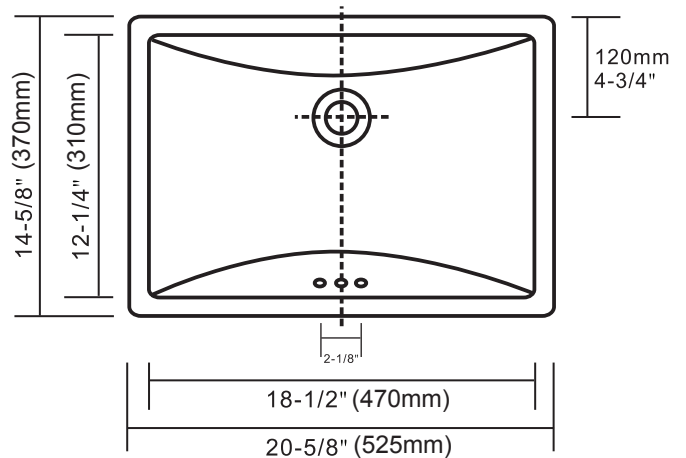
20-5/8" x 14-5/8" x 8"

- Bowl Inside Dimension:

18-1/2" x 12-1/4" x 6-1/4"

Color option:

- White
- Biscuit
- Black



Label is stuck on the overflow pipe

SPEC SHEET

Bathroom Porcelain Sink

Model: 1714

Features

- cUPC certificate
- Classic oval undermount sink
- ADA compatible
- Front overflow
- Template and mounting clips
- Scratch-resistant glaze, Non-porous surface to prevent discoloration
- Available color:
 - white
 - biscuit
 - black



Product measurements

- Inside dimension: 17-1/4" x 14-3/8"
- Overall dimension: 19-1/4" x 16"
- Bowl depth: 8-1/4"

Codes/Standards



File No. 8864
ASME A112.19.2/CSA B45.1



Undermount
Lavatory

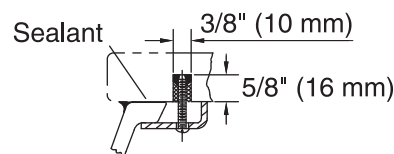
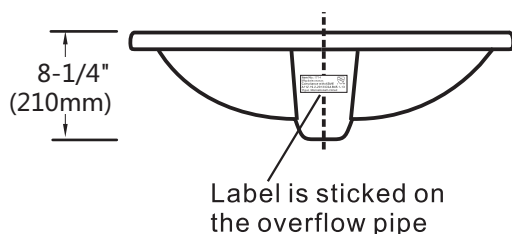
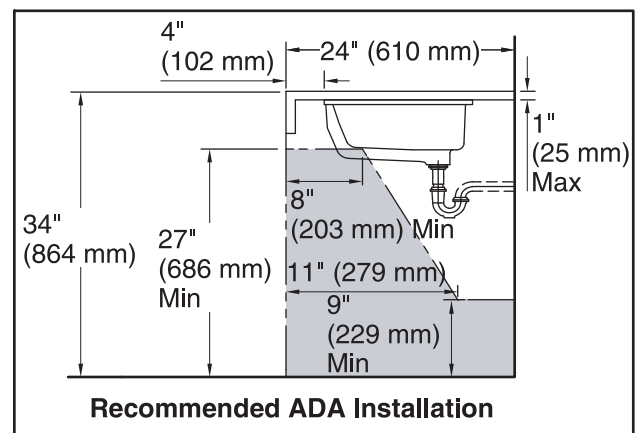
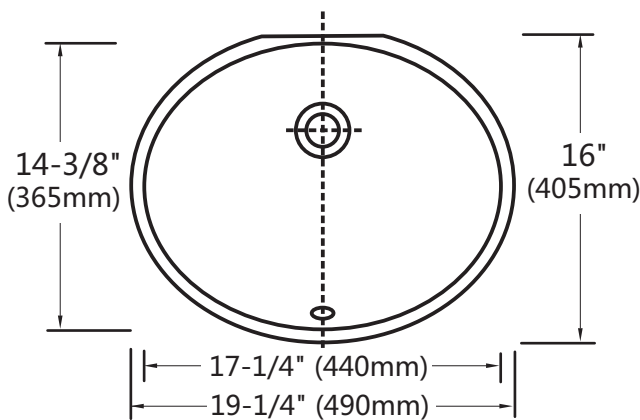


ADA
Compatible

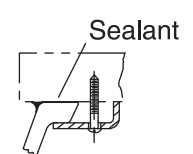


Includes
Overflow

Spec and Installation Notes



**Marble
Installation**



**Wood
Installation**

VANITY SINK



C O U N T E R T O P S

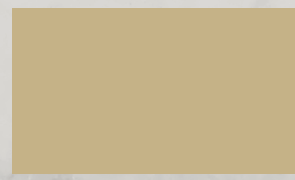
See other options



- 1611 white
- 1611 biscuit
- 1812 white
- 1812 biscuit
- 1813 white/biscuit

FIRST STONE

C O U N T E R T O P S





MasterCraft Zero Radius Series



MT-230

Overall 23" x 18"
10" depth, 18 gauge



**MT-2818,
MT-3218**

Overall 28" x 18"
Overall 32" x 18"
10" depth, 18 gauge

FIRST STONE

C O U N T E R T O P S





MasterCraft Zero Radius Series



MT-335

Overall 33" x 18"
10 depth, 18 gauge

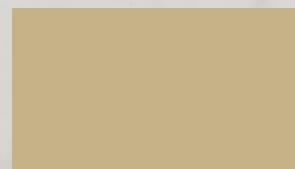


MT-337R/L

Overall 33" x 18"
10 depth, 18 gauge

FIRST STONE

C O U N T E R T O P S





C
O
U
N
T
E
R
T
O
P
S

MasterCraft Zero Radius Series

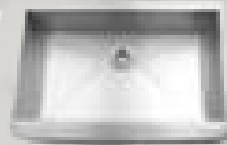


Overall 32 1/2" x 20 3/4"
10" depth, 18 gauge

MT-3015



Little Radius Sinks

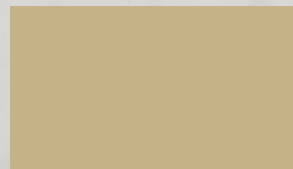


Apron Farm Sinks

AVAILABLE

FIRST STONE

C O U N T E R T O P S





C O U N T E R T O P S

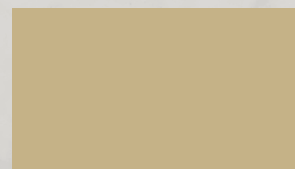
MasterCraft Zero Radius Series



Stainless Steel
Sinks
Porcelain Sinks



FIRST STONE
C O U N T E R T O P S





Come visit us, get to know our showroom and design with us your dream project.

Office Number

774-713-3121

Cell Phone

857-261-2794 / 857-316-8954

Email

firststone2021@gmail.com

Location

14 N. Main St #6 - Middleton - MA

Opening hours

Monday-Friday: 8:30am to 4:30pm

Saturday: 8:30am to 1pm

After hours and sundays: by appointment